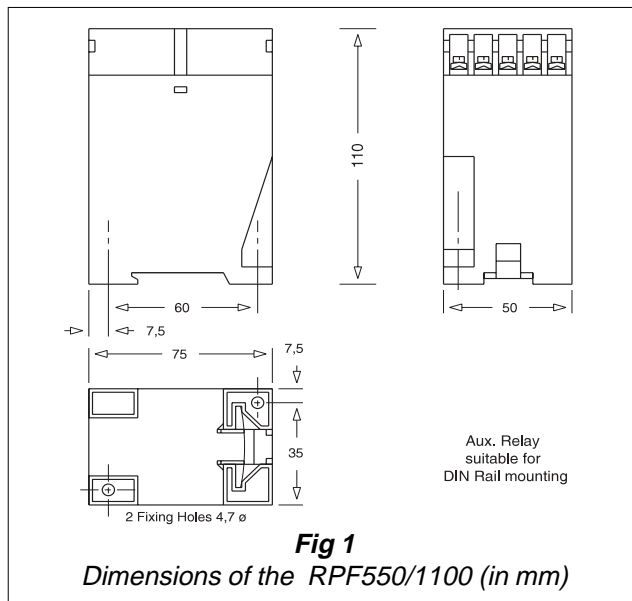


Phase Sequence Relay Model RPF550/1100 Specifications

PHASE SEQUENCE RELAY

The RPF550/1100V Phase Sequence Relay drops the power supply contactor if the phase sequence of the supply is incorrect. The direction of rotation is a vital factor in the case of drives for pumps, fans, compressors and conveyors. In certain circumstances, particularly where mobile equipment is employed, it is advisable to monitor the direction of rotation and to disconnect the power source if the drive runs in the reverse direction. The unit is usually situated at the load centre and is wired in conjunction with a pilot wire relay for contactor control, see Fig 2; for physical dimensions see Fig 1.

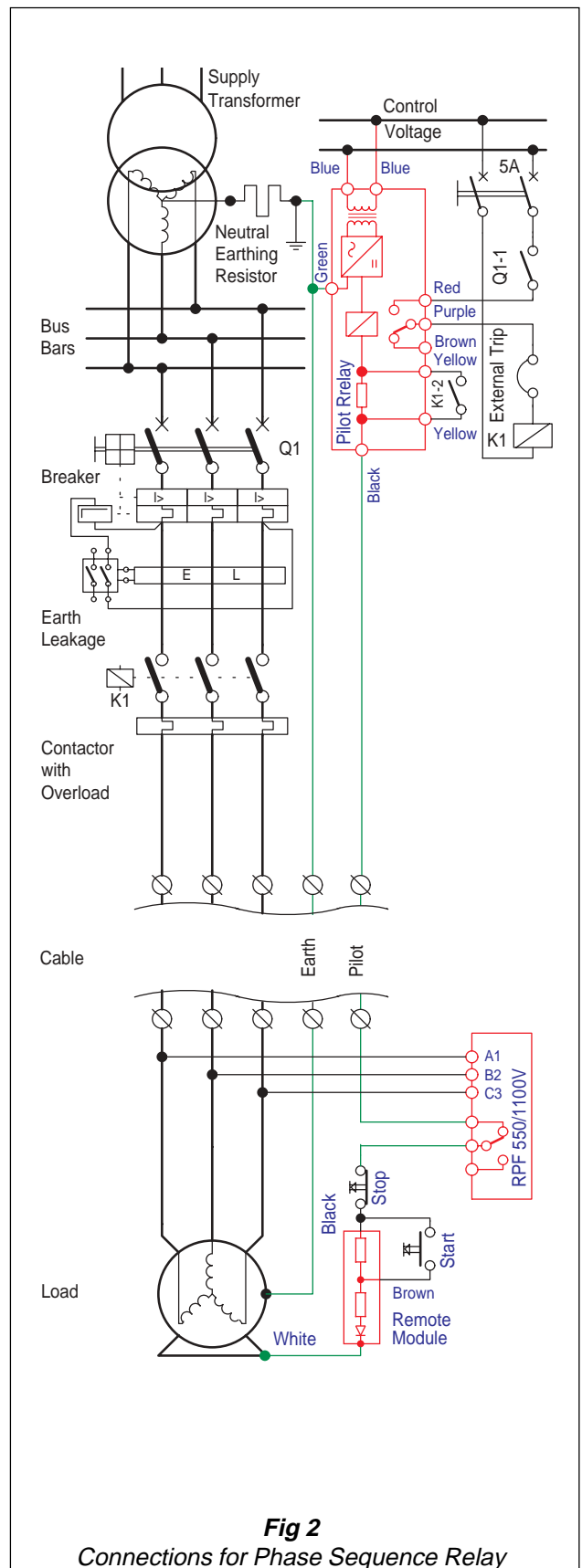


Specifications :

Input voltage : 550 or 1100Vac 3 phase
 Detection : Reverse phase & phase failure
 Output contact : One potential free C/O rated at 3A 250Vac

Ordering :

Stock No	Description
080	RPF550/1100



RPF550.p65 / LPW : 21st August 2002