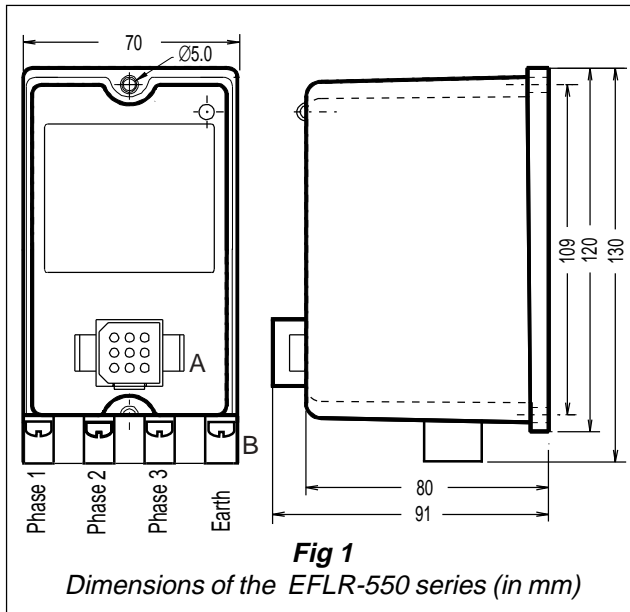


Earth Fault Lockout Relay Model EFLR-550

Specifications

EARTH FAULT LOCKOUT RELAY

The EFLR-550 Earth Fault Lockout Relay prevents the power supply contactor from closing if an earth fault is present on the cable. This ensures that only healthy circuits are energised, eliminating damage to equipment and protecting personnel from potential shock hazard. The unit is normally situated at the load centre and is used in conjunction with a pilot wire relay for contactor control: Fig 2 shows a typical application circuit. Physical dimensions of the relay are shown Fig 1. The relay is connected via a 9 pin Molex plug & terminal block: the connection tables appear in Fig 3.

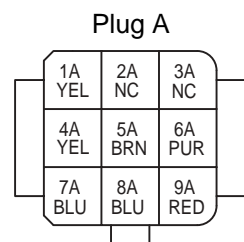
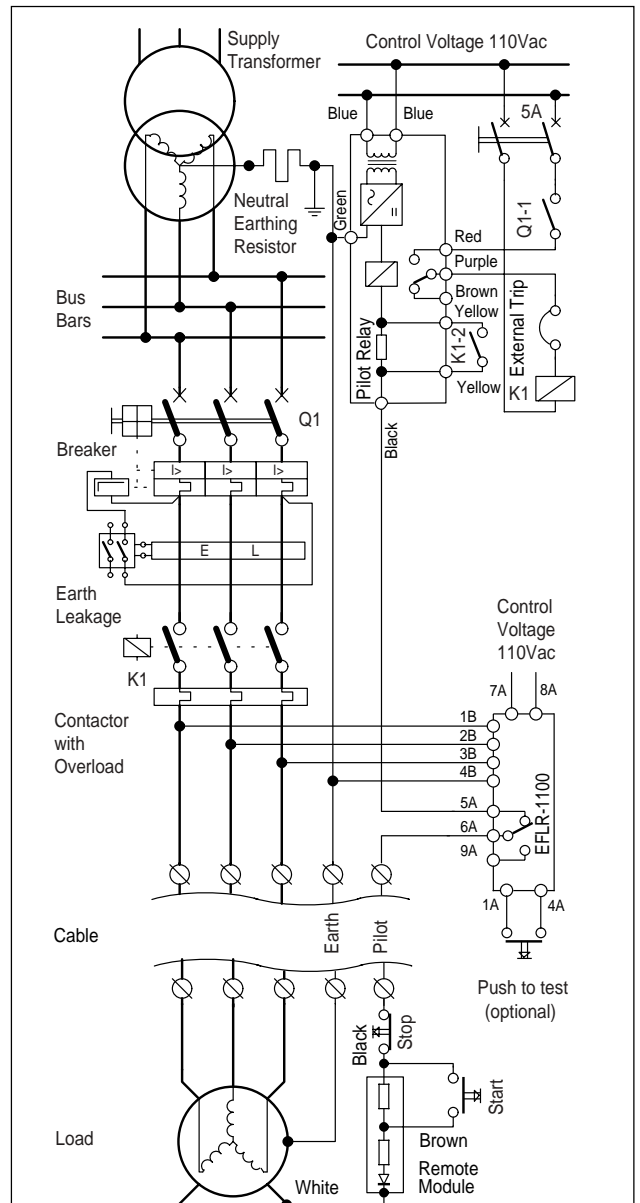


Specifications :

Control voltage : 110/220/550Vac \pm 15%
 Relay burden : 10VA
 Output contact : One potential free C/O rated at 5A 220Vac
 Earth fault detection : 10k Ω Insulation resistance
 System voltage : 550Vac 3 phase
 Max amb temp : 65°C

Ordering :

Stock No	Description
111	EFLR-550 Connection leads (all models)
102	EFLR-550-110 Earth Fault Lockout Relay
128	EFLR-550-220 Earth Fault Lockout Relay
101	EFLR-550-550 Earth Fault Lockout Relay



1. Yellow: N/O test
2. No connection
3. No connection
4. Yellow: N/O test
5. Brown : N/C
6. Purple : Common
7. Blue : Control voltage
8. Blue : Control voltage
9. Red : N/O

Screw Terminal Connector B

1. Phase 1 : 2. Phase 2 : 3. Phase 3 : 4. Earth

Fig 3

Connections for EFLR-550 series

EFLR5.pm6 / LPW : 25/11/97